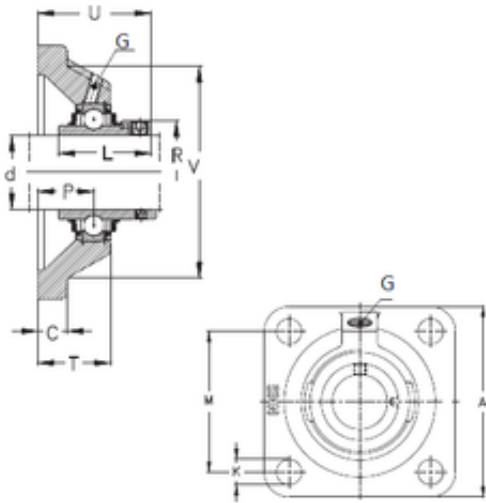




GSF palier Forging Company.

NKE RCJY60-N unit é s de roulement

Bearing No. RCJY60-N



RCJY60-N Bearing 2D drawings and 3D CAD models

Bore Diameter	60 mm
d	60 mm
P	34 mm
V	150 mm
U	73,7 mm
K	18 mm
A	175 mm
C	16 mm
L	65,1 mm
M	143 mm
T	46 mm
Thread (G)	R1/8 "