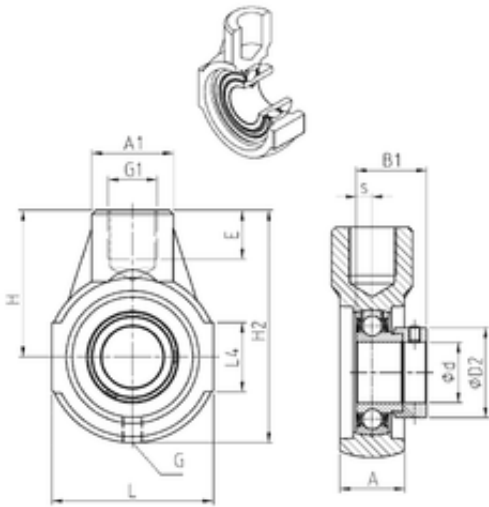




GSF palier Forging Company.

SNR ESEHE210 unit é s de roulement

Bearing No. ESEHE210



ESEHE210 Bearing 2D drawings and 3D CAD models

Bore Diameter	50 mm
d	50 mm
L4	46 mm
s	11 mm
A	40 mm
A1	40 mm
B1	43,7 mm
D2	69,9 mm
E	24 mm
G1	M24 mm
H	90 mm
H2	145 mm
L	110 mm
Thread (G)	R1/8"
Weight	2 Kg
Basic dynamic load rating (C)	35,1 kN
A2	40 mm
B	30.2 mm
A5	19.2 mm
d1	67.2 mm
G	R1/8"
L1	90 mm
L3	46 mm
s1	33.4 mm
S	11 mm
SW	4 mm



GSF palier Forging Company.

C	35.1 kN
C0	23.2 kN
T min.	-20 ° C
T max.	100 ° C
Recommended tightening torque for set screw	11.5 Nm
Designation of housing	EHE210-
Designation of bearing	ES210G2