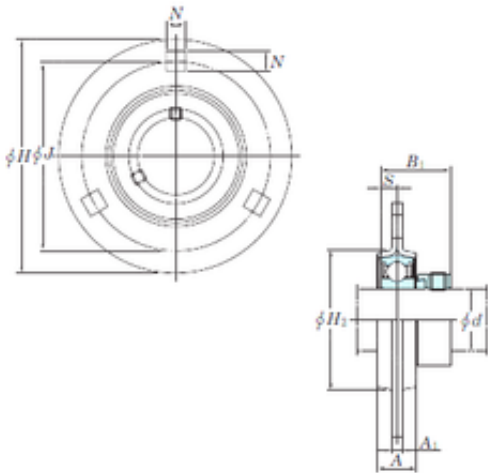




**KOYO SAPF205-14 unit é s de roulement**



Bearing No. SAPF205-14

Bore Diameter	20,6375 mm
d	20,6375 mm
A	18 mm
A1	4 mm
B1	30,5 mm
H	95 mm
H2	60 mm
J	76 mm
N	9 mm
S	7,5 mm
Bolt (G)	M8
Weight	0,42 Kg
Basic dynamic load rating (C)	14 kN
Basic static load rating (C0)	7,85 kN

SAPF205-14 Bearing 2D drawings and 3D CAD models