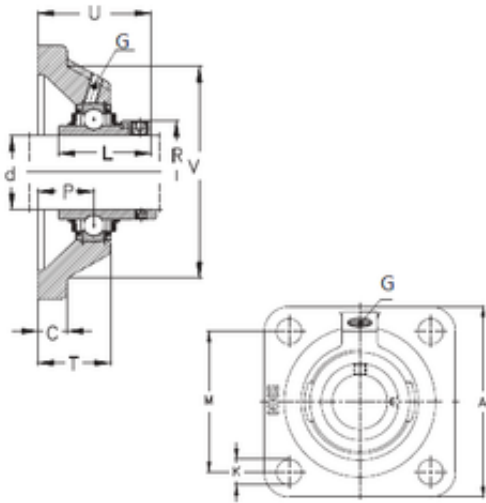




GSF palier Forging Company.

NKE RCJY15 unit é s de roulement

Bearing No. RCJY15



RCJY15 Bearing 2D drawings and 3D CAD models

Bore Diameter	15 mm
d	15 mm
P	17 mm
V	58 mm
U	32,9 mm
K	11,5 mm
A	76 mm
C	9,5 mm
L	27,4 mm
M	54 mm
T	27 mm
Thread (G)	M6