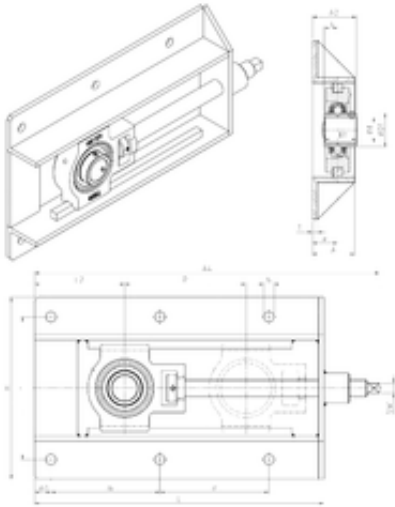




GSF palier Forging Company.



SNR UCT201+WB unit é s de roulement

Bearing No. UCT201+WB

Bore Diameter	12 mm
d	12 mm
A4	367 mm
P	150 mm
e	29 mm
L2	83 mm
s	12,7 mm
SW	11 mm
A	50 mm
B1	31 mm
D1	29 mm
H	199 mm
J	154 mm
L	317 mm
M	117 mm
M1	19 mm
N	12 mm
T	6 mm
A2	47,3 mm
Weight	5,2 Kg
Basic dynamic load rating (C)	12,8 kN
A1	12 mm
B	31 mm
A5	18.3 mm
G	M6x1
H1	76 mm

UCT201+WB Bearing 2D drawings and 3D CAD models



GSF palier Forging Company.

H2	51 mm
L1	61 mm
L3	51 mm
N1	16 mm
N2	32 mm
s1	15.5 mm
S	12.7 mm
C	12.8 kN
C0	6.65 kN
T min.	-20 ° C
T max.	100 ° C
Recommended tightening torque for set screw	5.5 Nm
Designation of housing	T204-
Designation of bearing	UC201G2