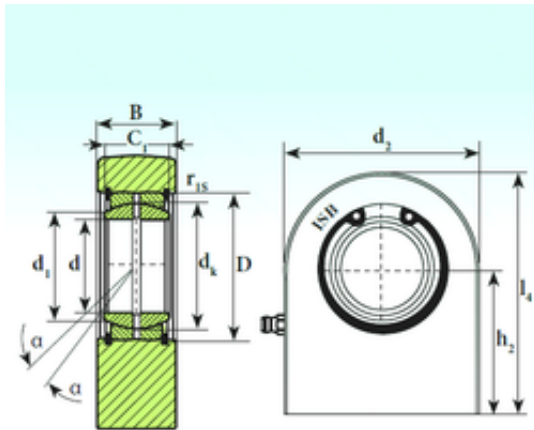




## GSF palier Forging Company.



T.P.N. 320 Bearing 2D drawings and 3D CAD models

20 mm x 35 mm x 19 mm ISB T.P.N. 320 paliers lisses

Bearing No. T.P.N. 320

Bore Diameter	20 mm
Outer Diameter	35 mm
d	20 mm
D	35 mm
d1	24,1 mm
d2	50 mm
dk	29 mm
h2	38 mm
l4 max.	63 mm
r min.	0,6 mm
B	19 mm
C1	16 mm
Angle	9 °
Weight	0,36 Kg
Basic dynamic load rating (C)	30 kN